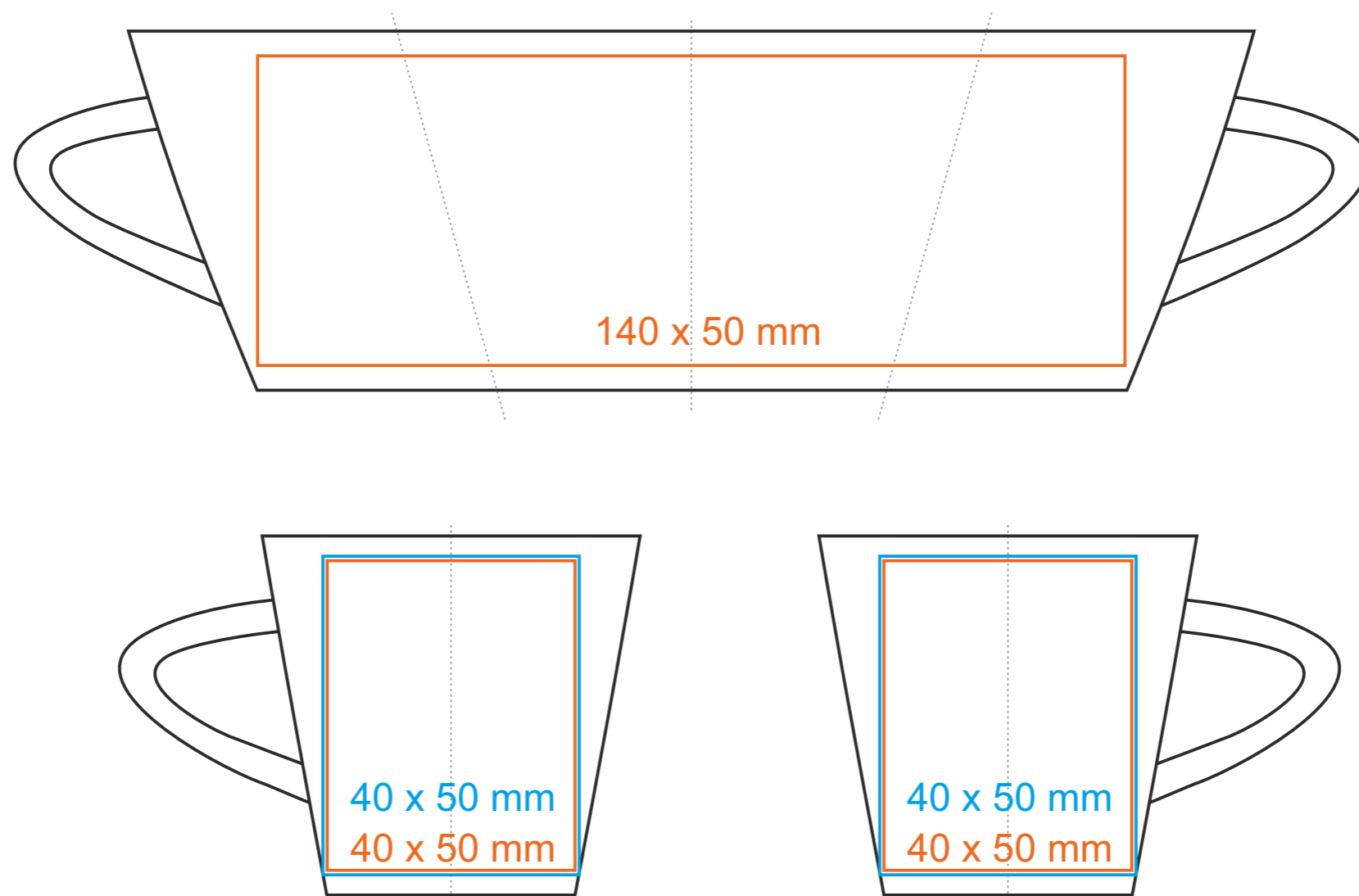


G_511 Clara

70 ml / h: 58 mm / Ø 67 mm



Imprint on the inside
 Imprint on the bottom inside
 Imprint on the bottom outside

- 50 x 20 mm
- Ø 30 mm
- Ø 30 mm

*In the case of projects for transfer print running outside of the standard print area, please contact our sales department.

[How to prepare print material](#)

meaning

- Transfer Print
- Laser Engraver
- Direct Print