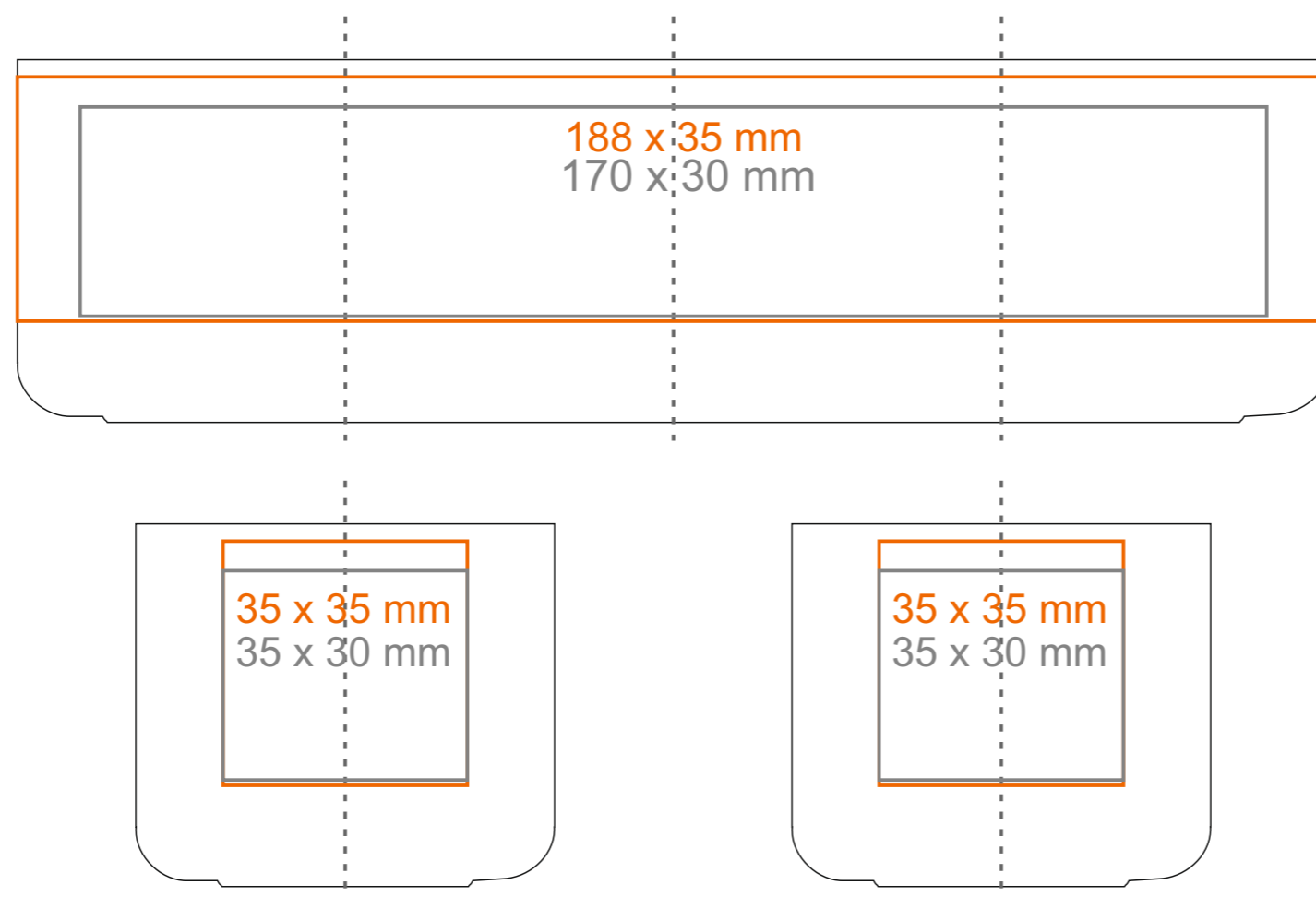
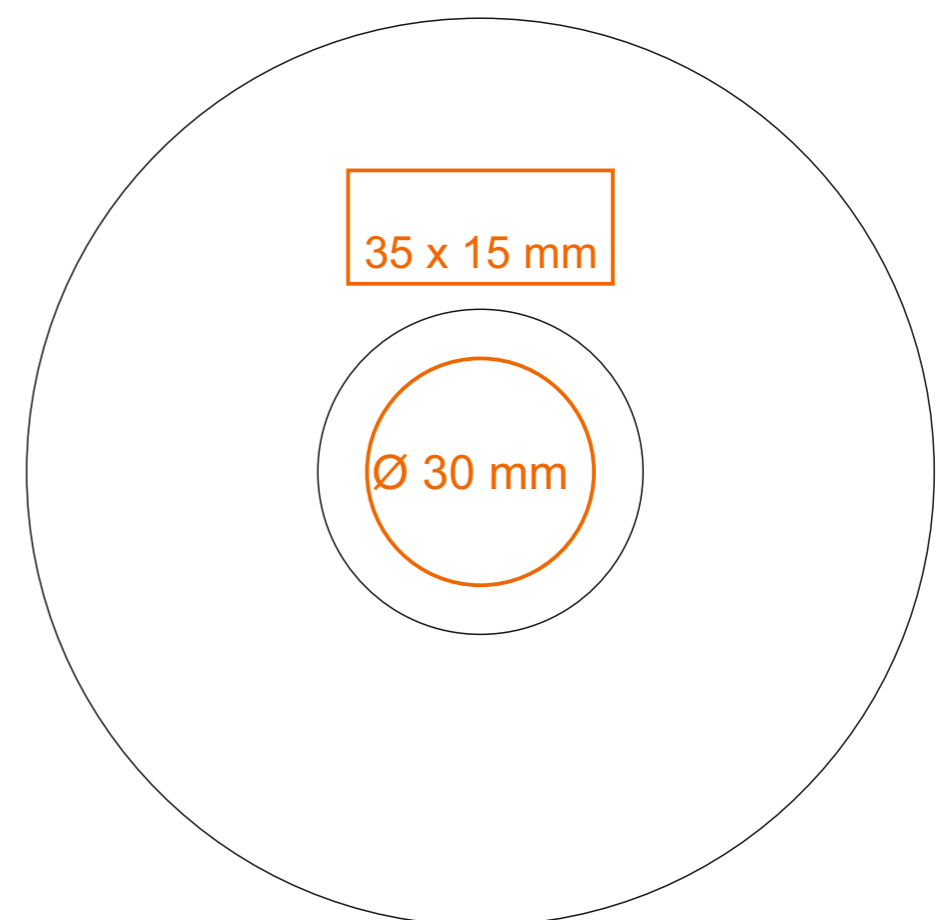


# C\_249 Osaka set

80 ml / h: 52 mm / Ø 60 mm



Saucer Ø 120 mm



Imprint on the inside  
Imprint on the bottom inside

- 35 x 15 mm  
- Ø 30 mm

\*In the case of projects for transfer print running outside of the standard print area, please contact our sales department.

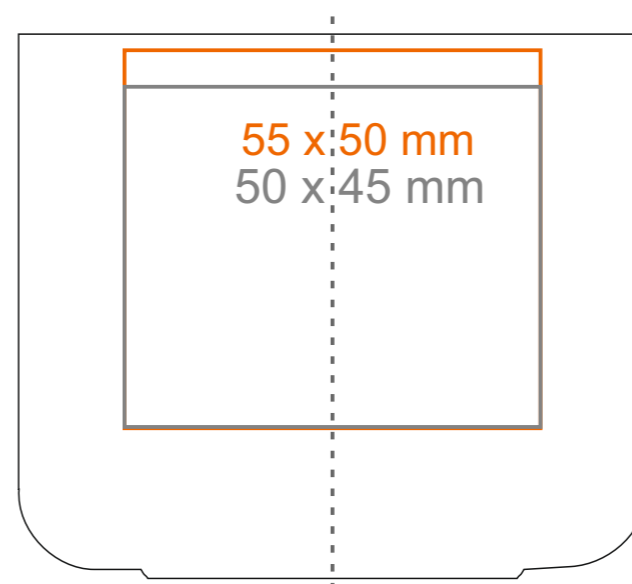
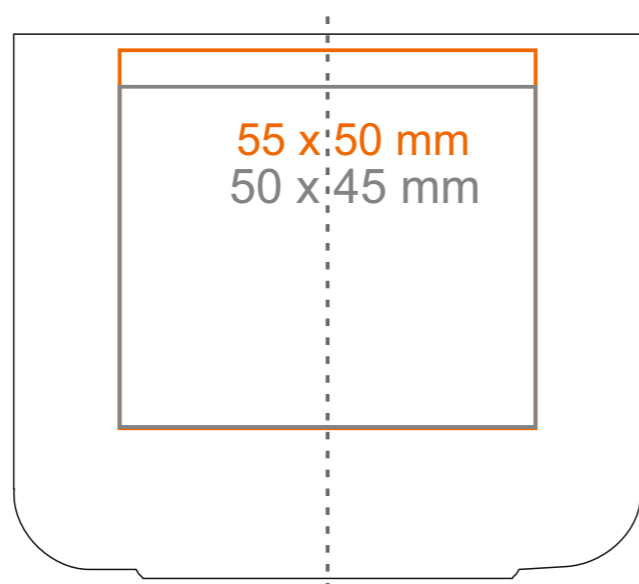
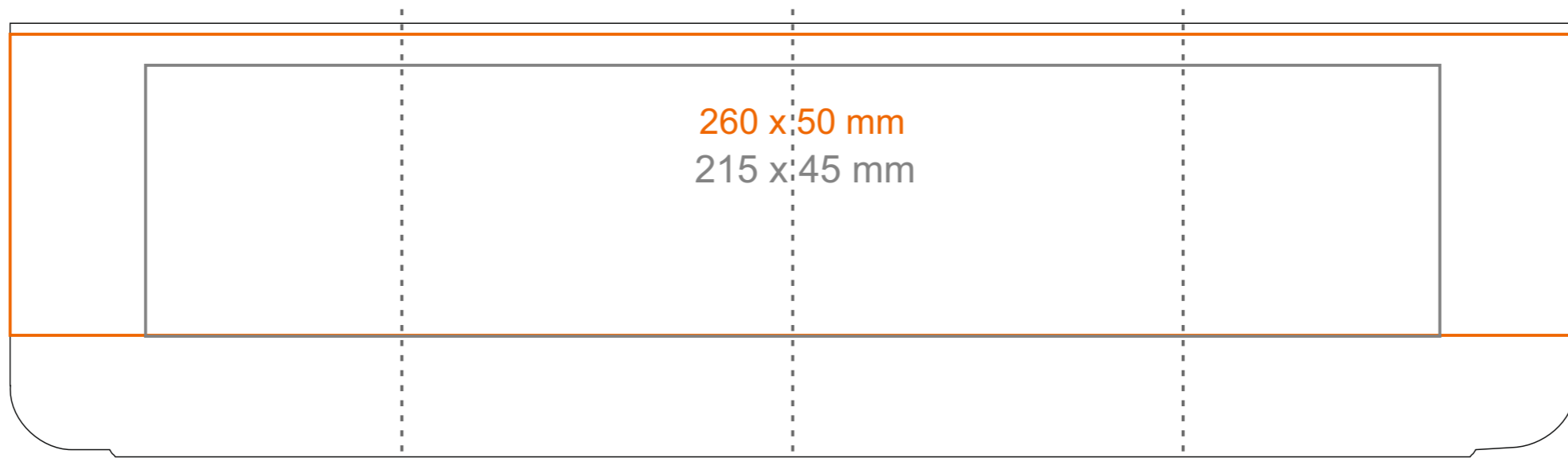
[How to prepare print material](#)

meaning

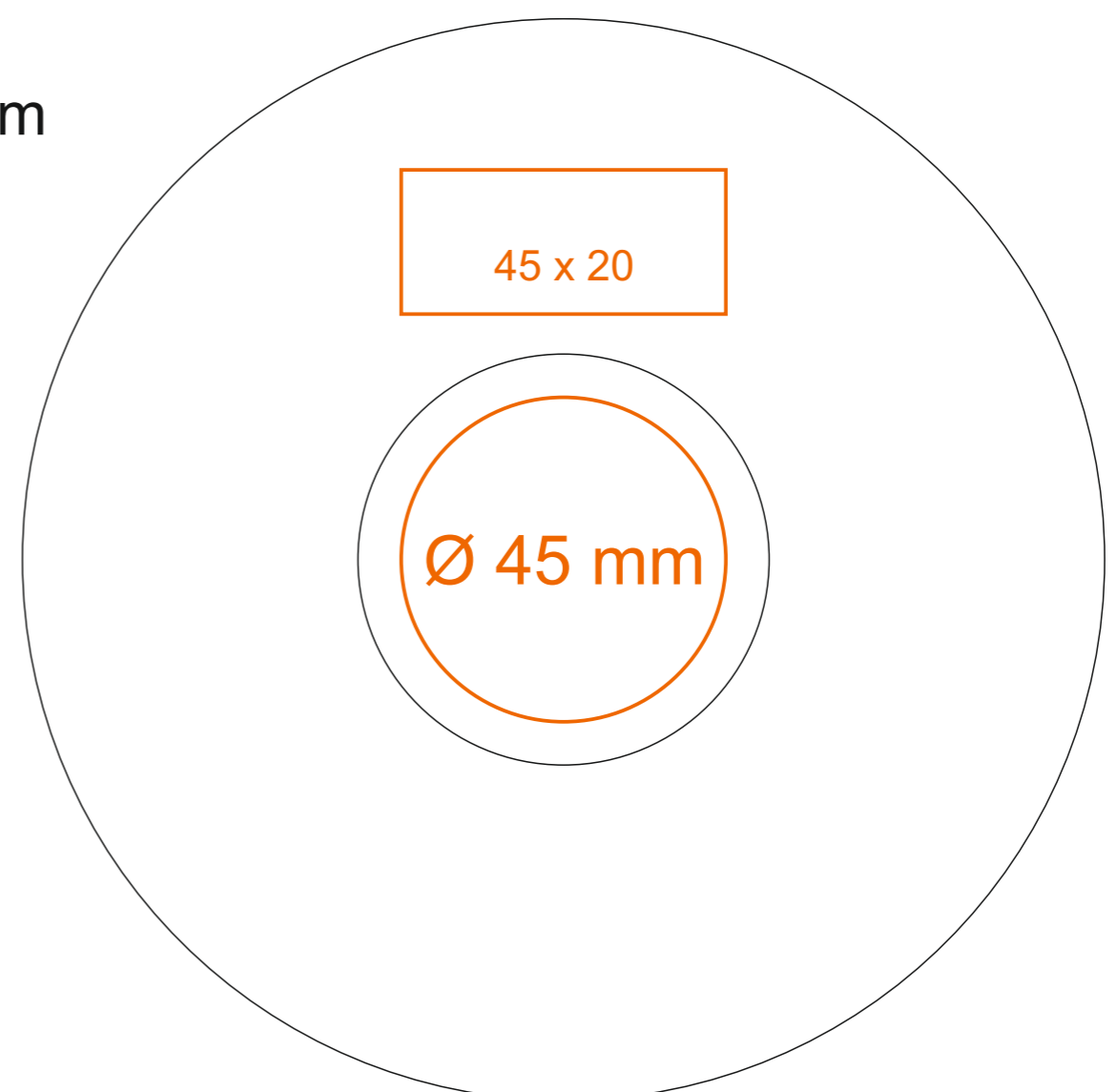
— Transfer Print  
— Sensitive Touch  
— Direct Print

# C\_249 Osaka set

240 ml / h: 72 mm / Ø 83 mm



Saucer Ø 120 mm



Imprint on the inside  
Imprint on the bottom inside  
Imprint on the bottom outside

- 45 x 20 mm
- Ø 50 mm
- Ø 20 mm

\*In the case of projects for transfer print running outside of the standard print area, please contact our sales department.

[How to prepare print material](#)

meaning

- Transfer Print
- Sensitive Touch
- Direct Print