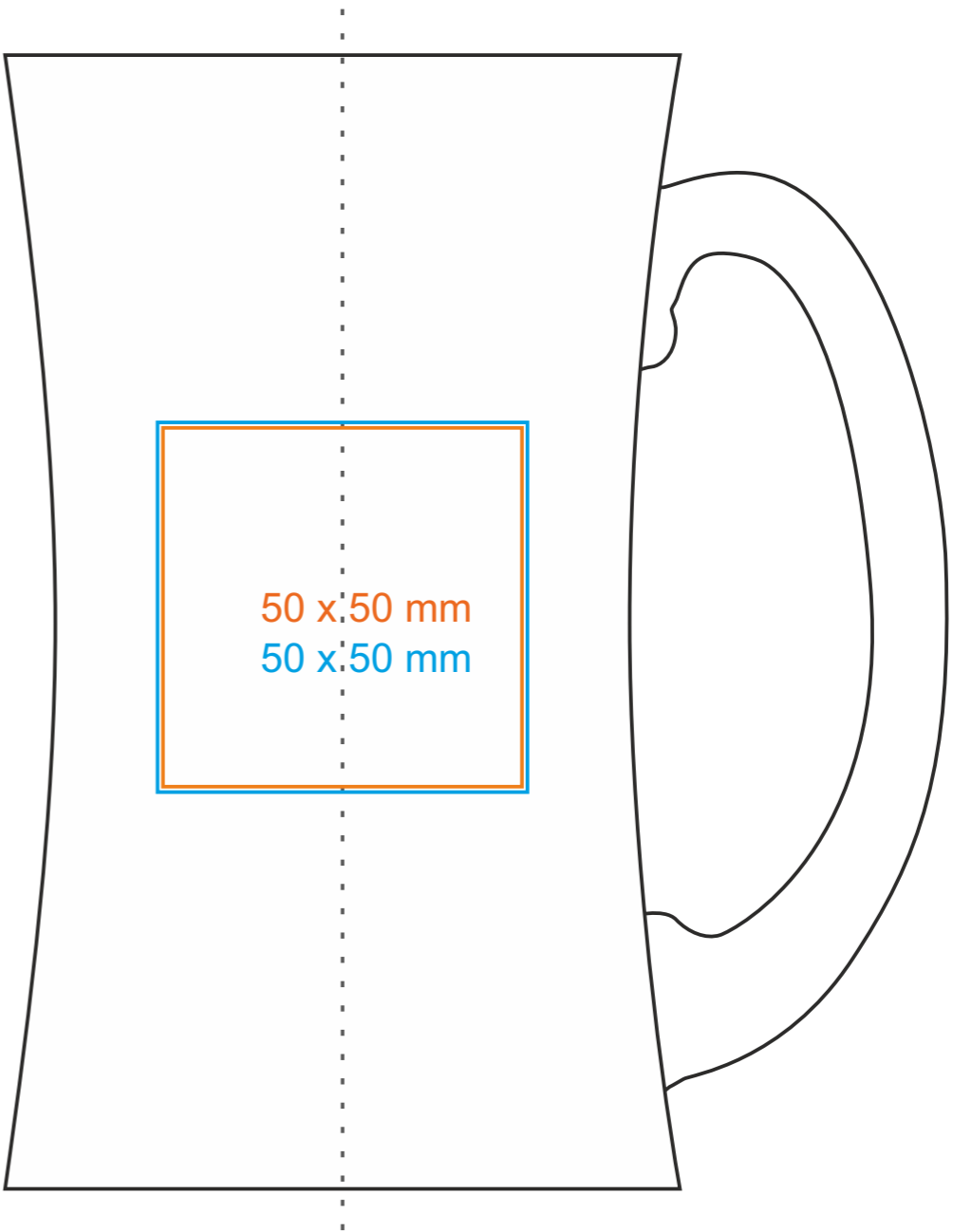
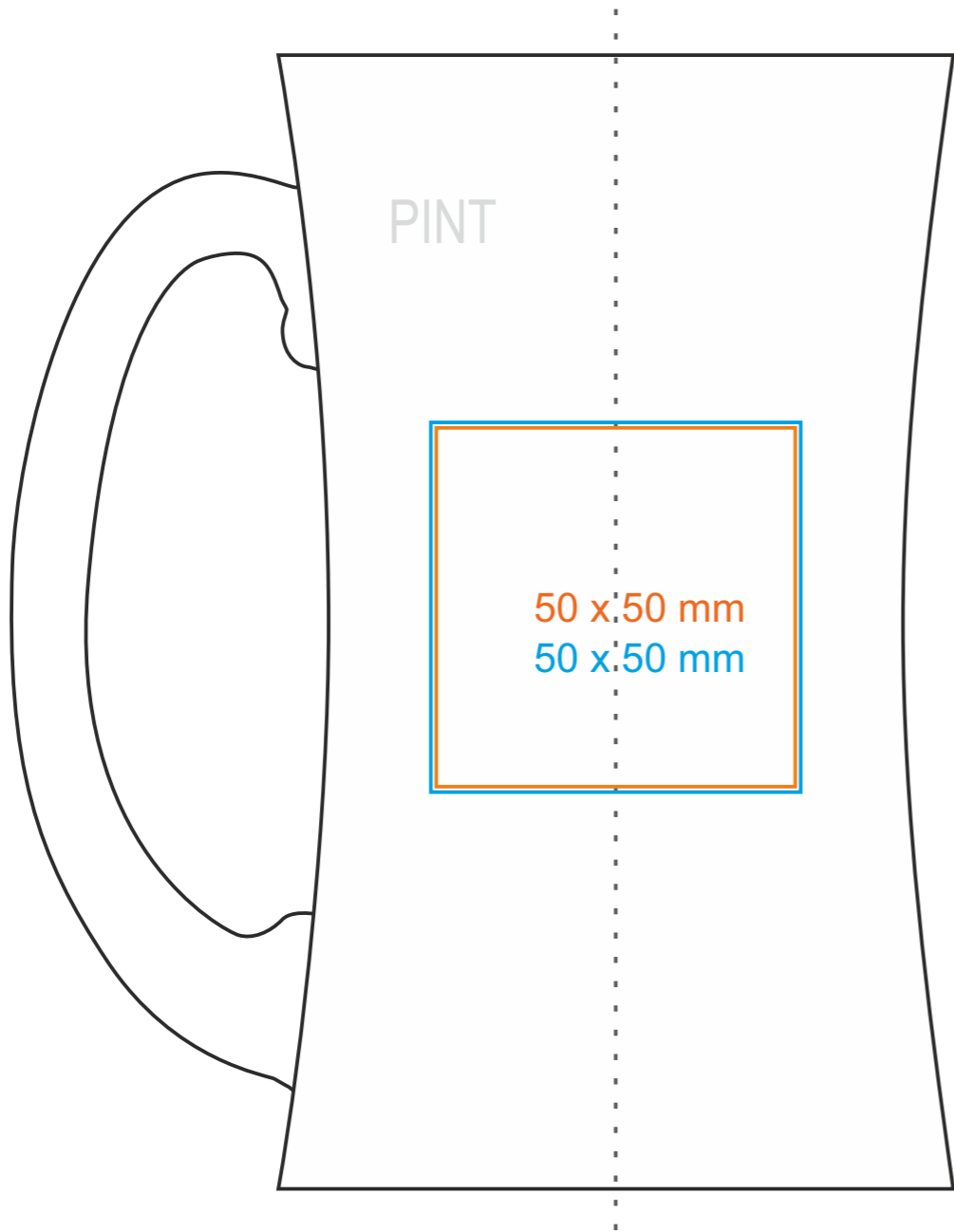


# B\_401 Malt

500 ml / h: 158 mm / Ø 94 mm



\*In the case of projects for transfer print running outside of the standard print area, please contact our sales department.

[How to prepare print material](#)

meaning

- Transfer Print
- Laser Engraver